



**King Training Innovations LLC Patent Pending**

## **Assembly Instructions**

[www.kingceilingprop.com](http://www.kingceilingprop.com)

[chris@kingceilingprop.com](mailto:chris@kingceilingprop.com)

262-989-0453

# King Ceiling Prop Included Hardware

- 8) ½" x 5" bolts
- 8) ½" x 4 " bolts
- 32) ½" washers
- 16) ½" nuts
- 12) 3/8" carriage bolts
- 16) 3/8" nuts
- 20) 3/8" washers
- 4) 3/8" x 4" bolts
- 4) 3/8" bolts for joining top sections
- 20) 3/8" x 1" bolts
- 5) Caster wheels

## Items not included

- 1) 2x10x10 standard board for top step
- 1) 2x8x10 standard board for bottom step

## TOOLS REQUIRED

- ¾" wrench
- ¾" socket with ratchet
- 9/16" wrench
- 9/16" socket
- Alan wrenches
- Pencil
- ½ " drill bit and drill
- ½" socket and wrench

**\*If any parts are missing or damaged please contact us to take care of the problem. Thank you.**

**Chris King**

Fig. 1

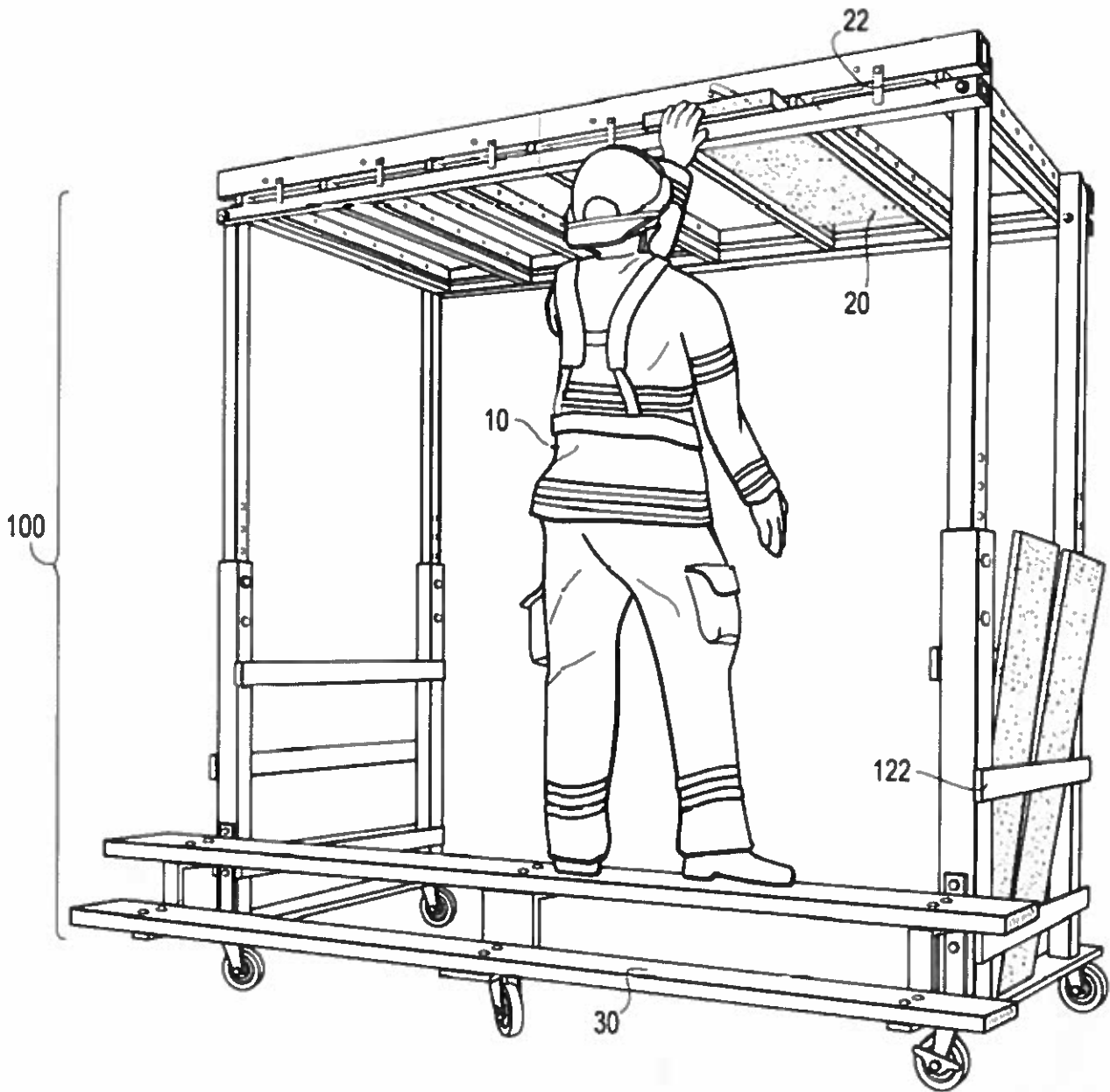
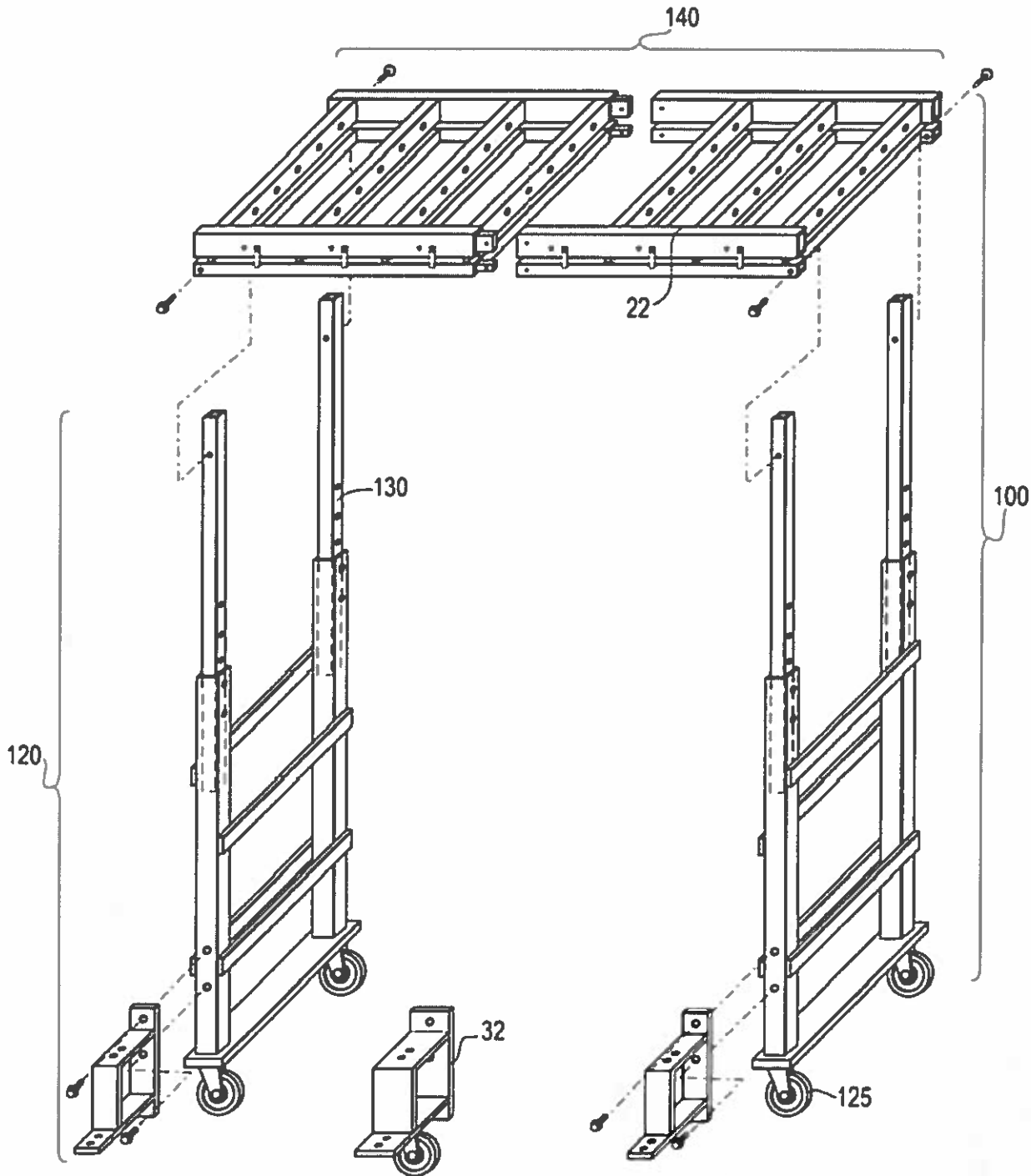


Fig. 2

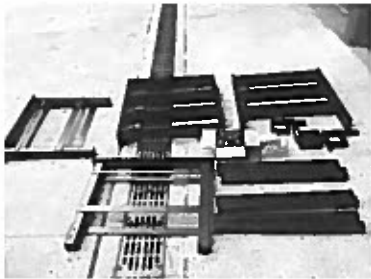


# Assembly Instructions

The King Ceiling Prop can be assembled in a variety of ways depending on the available manpower assisting. The following instructions are an easy 2-person assembly guide.

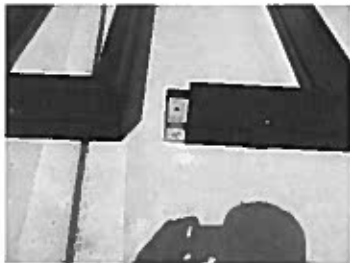
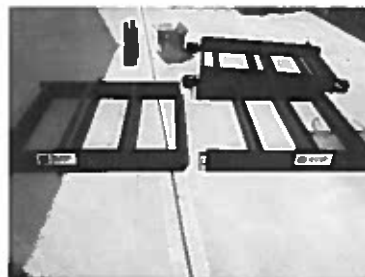
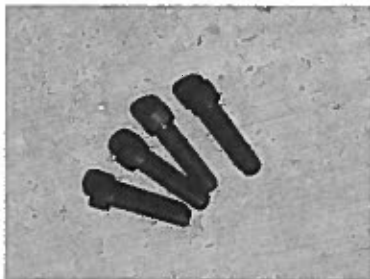
## Step 1)

Unpack your prop and lay the pieces out. Decide if you want to mount the caster wheels or leave the prop on the flat base. If mounting wheels use 20) 3/8 x 1" bolts to mount the wheels to the base sections and floating step support.



## Step 2)

Assemble top section by joining and bolting together with 4 supplied Alan head bolts or hex head .



Step 3)

Lift assembled top section on its side so latch side is up. At this time check the function of the latch tabs. They are tightened down for shipping and you may need to **loosen the bolts** for smooth movement.



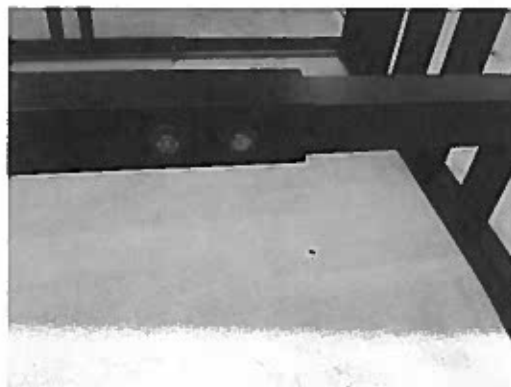
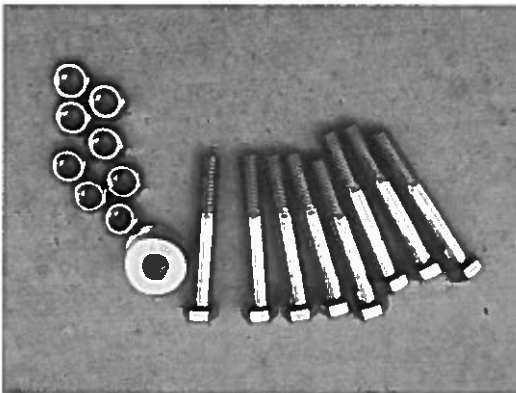
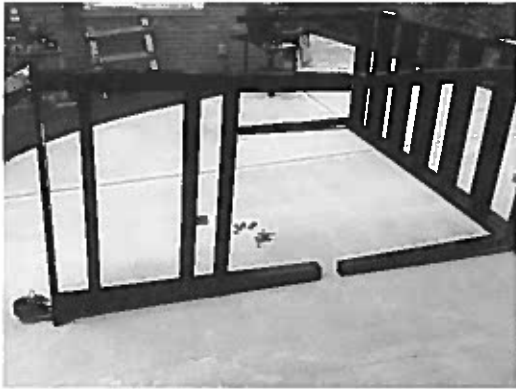
Step 4)

Mount the upright legs to the top section using  $\frac{1}{2}$ " x 5" bolts with washers and nuts. You'll need 2 washers per bolt, one on each side. Only snug, do not over tighten. Repeat this for all 4 upright legs.



Step 5)

Slide base section onto uprights and set to desired training height by lining up the specific holes. **It is important that you make sure that the step mount holes are up and facing the latch side of the top section. If this is not done the step will not be on the correct side for loading the prop.** You can verify training height with a tape measure for accuracy. Once height is decided, install 2)  $\frac{1}{2}$ " x 4" bolts with washers and nuts per upright. You'll need 2 washers per bolt, one on each side and only snug tight. Do not over tighten. Repeat for all 4 uprights.



**Step 6)**

Lift the prop from its side to the upright position. If you are using the caster wheels make sure all the wheels are in the locked on position so the prop does not roll away while lifting upright.



**Step 7)**

Mount the step brackets to base sections using 4) 3/8" x 4" bolts with washers and nuts. You'll need 2 washers per bolt, one on each side. Only snug, do not over tighten.





### Step 8)

Mount the wooden steps. Take the 2x10x10 and set it on top support bracket. You'll want 7 ½" overhang on each side. Bring board flush with front of bracket then use a pencil to mark location for the holes from the bottom. Repeat this for the bottom step 2x8x10. Drill the holes with ½" drill bit. Once holes are drilled use 8) carriage bolts with washers and nuts to attach to brackets. Do not over tighten.



**Step 9)**

**Locate and mount floating center step support. Once the step boards are mounted to the brackets measure and find the center. Position the floating support bracket centered in the boards and mark hole locations from underside with a pencil. Drill  $\frac{1}{2}$ " holes. Use remaining 4) carriage bolts, nuts, and washers to mount the support to the boards. Do not over tighten.**



**Step 10)**

Add any desired obstructions into the prop using the existing holes. You can use ½" conduit, ½" pipe, Bx cable, romex cable or anything of your choice. Use end couplings or pipe caps to secure.



**Step 11)**

Load the prop with any ½" thickness consumable of your choice. Drywall, OSB, or cement board. Panels must be 16" x 48" anything over 16" will not fit into the slots. Lock into place and enjoy your training.



## USEFUL TIPS

- Store extra panels in the side storage racks for quick prop reset
- Place prop on its side for WALL BREACH PROP
- Place a 4 x 8 sheet of plywood on top of prop, secure it by using self-taping screws or drill and screw to simulate limited / confined ceiling spaces or cocklofts.
- Utilize the prop in multi station / company drills for realistic operations
- Place a tarp over the prop to darken and add smoke to limit visibility.
- Use forcible entry doors along with, search, ventilation, and the ceiling prop to make complete truck co. operations drills
- Practice different techniques for different scenarios. Seaming along rafters, punch technique, softening the ceiling with butt end of pike pole.
- When using in burn towers or Conex containers remove caster wheels and back steps for lower overall height and clearance.

Visit our web page for the latest news and training tips

[www.kingceilingprop.com](http://www.kingceilingprop.com)

King Training Innovations LLC.

5041 N Neva Ave

Chicago, IL 60656

262-989-0453

[chris@kingceilingprop.com](mailto:chris@kingceilingprop.com)